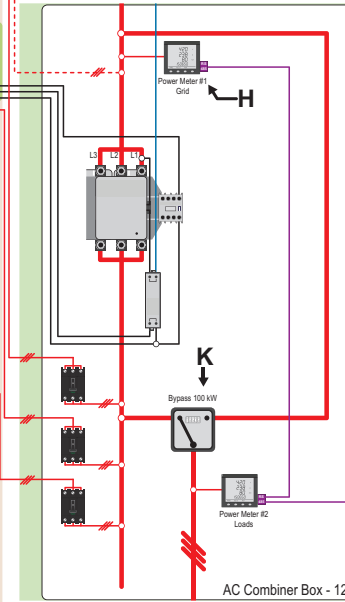


Diesel Power Plant

3phase 480V/277V - 208V/120V step down transformer for existing CAT generator or directly with existing CUMMINS generator



Island Load

3phase 208V/120V - 4.16kV step up transformer bank on pole